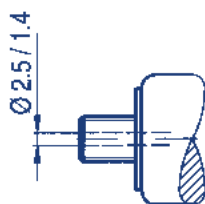




Optional Extras (see list on page 4)



Valve

Valve (code 5)

Gas springs including a valve are always fitted with a screw-on connection part on the cylinder end (exception: type 20-40).

On tension springs the valve is located at the piston rod end.

The connection part covering the valve is screwed off. In the threaded stud's centre is a hole of $\varnothing 2,5\text{mm}$. A drill or a blunt pin of less than $\varnothing 2,5\text{mm}$ should be inserted and with a lightweight hammer struck lightly (see picture opposite).

A prolonged pressing of the pin is to be avoided to prevent too much nitrogen gas escaping (See our technical instruction for using valves).

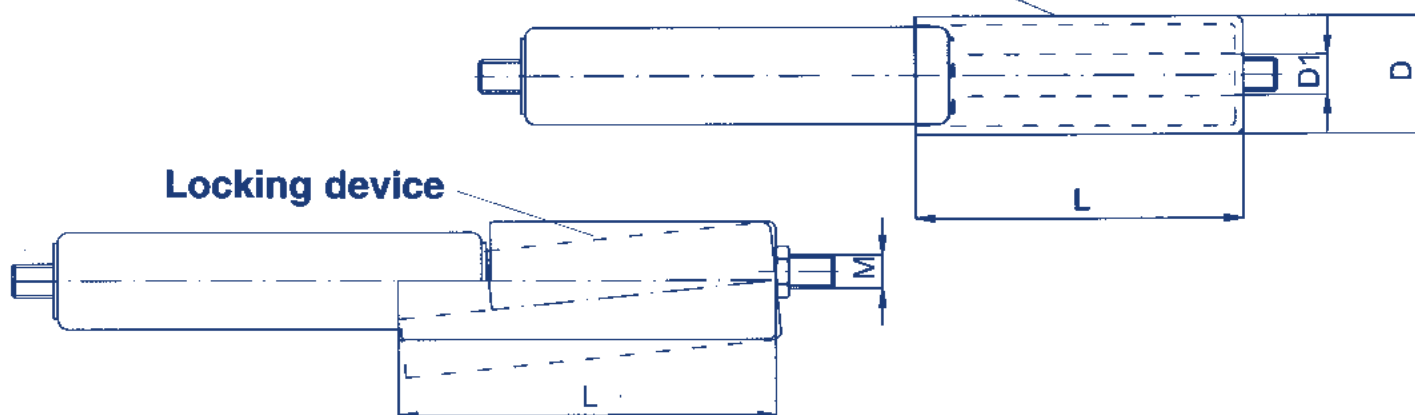


NOTE:

Lateral valves are available on types Z28-40 and G20-40 to G30-65.

The advantage of using this type of valve is that the force can be adjusted whilst the spring is in situ. This type will shortly be available in spring sizes G8-19 to G14-28.

Protection tube



Protection tube

Code 6

Steel black spray coated
 $\varnothing 19, 23, 28, 40$ also in stainless steel

Locking devices

Code 8

Steel black spray coated

Cylinder \varnothing Gas spring	\varnothing Protection tube D	Hole Diameter D1	Length of Protection tube L	Locking device $\varnothing M$
15	19	5	L= stroke+20	—
19	23	8	L= stroke+30	—
23	28	8	L= stroke+30	8
28	32	10	L= stroke+40	8
40	45	14	L= stroke+40	10
55	60	20	L= stroke+50	—
65	70	24	L= stroke+50	—